

For reference only. See data sheet for the detailed specifications.

## Technical Specification



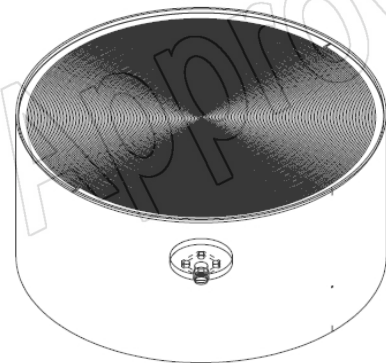
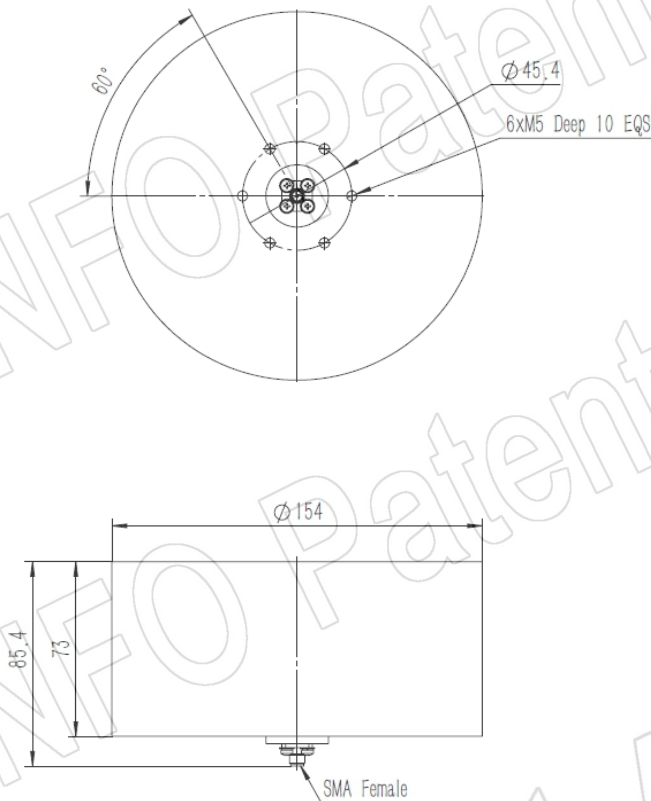
Frequency Range(GHz)	0.8 - 4.0
Gain(dBic)	-11.0 – 3.5
	0 Typ.
Polarization	RHCP or LHCP
Axial Ratio(dB)	2.0 Typ.
	4.0 Max.
3dB Beamwidth(deg)	E Plane: 115 - 65
	H Plane: 105 - 65
VSWR	1.5:1 Typ.
	2.0:1 Max.
Connector	SMA-Female
Material	Al
Size(mm)	154 x 154 x 85.4
Net Weight(Kg)	1.20 Around

PATENT ID (China)

ZL201921373071.0

## Outline Drawing (Size: mm)

SMA-Female Output (P/N: LX-840\_RHCP or LX-840\_LHCP)



AINFO Inc.

Page 1 of 6

China(Beijing):  
China(Chengdu):  
USA :

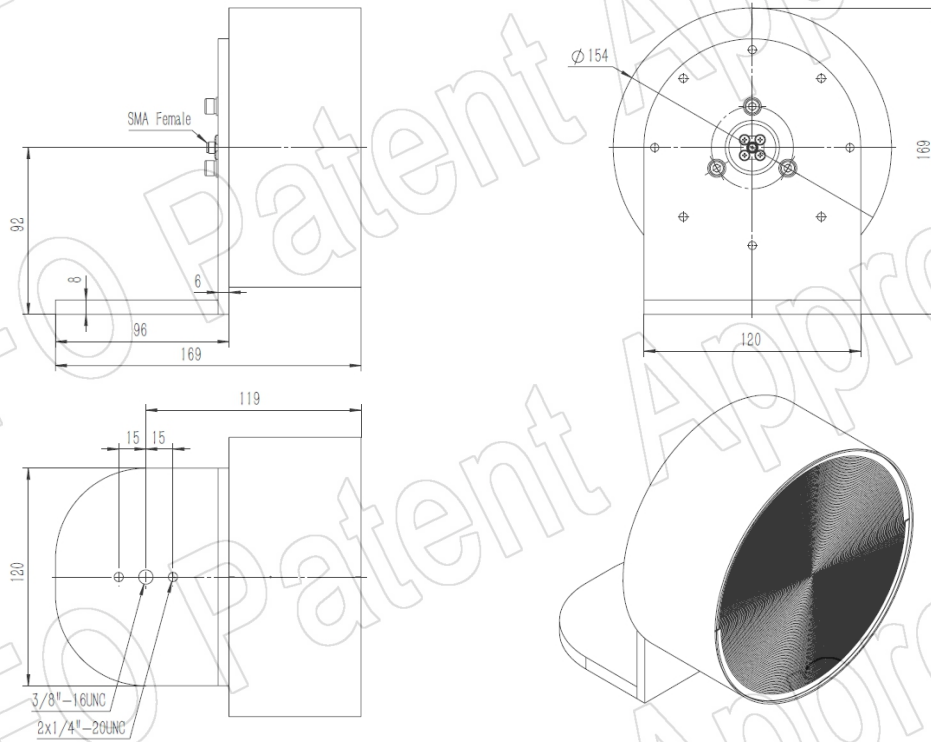
Tel: (+86) 10-6266-7326,  
Tel: (+86) 28-8519-2786,  
Tel: (+1) 949-639-9688,

(+86) 10-6266-7327  
(+86) 28-8519-3044  
(+1) 949-639-9608

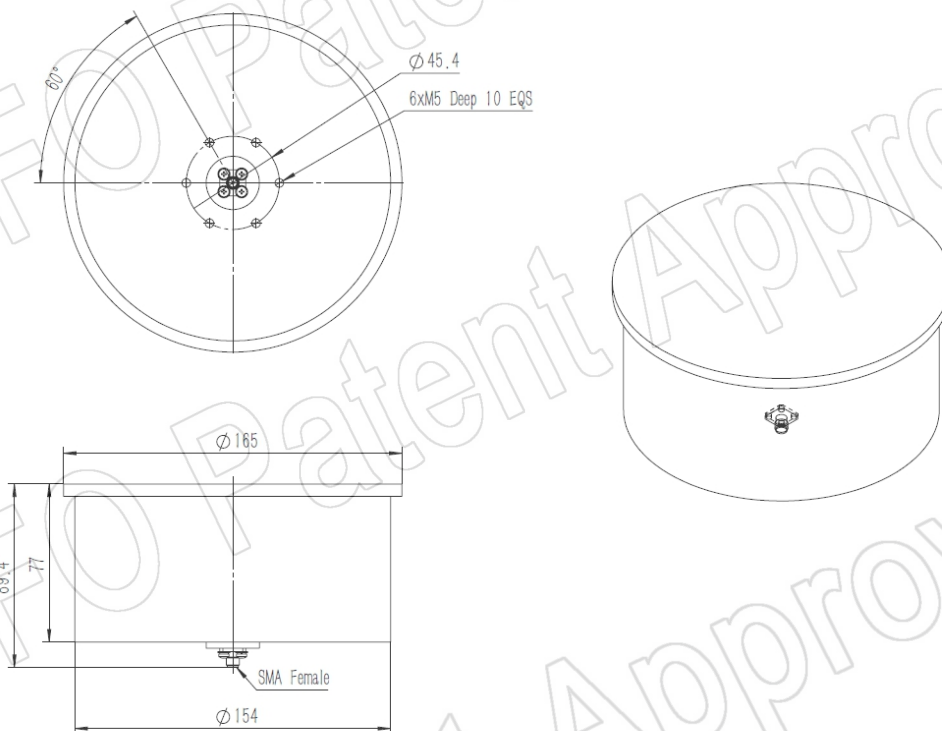
Fax: (+86) 10-6266-7379  
Fax: (+86) 28-8519-3068  
Fax: (+1) 949-639-9670

Website: [www.ainfoinc.com](http://www.ainfoinc.com)  
Email: [sales@ainfoinc.com](mailto:sales@ainfoinc.com)

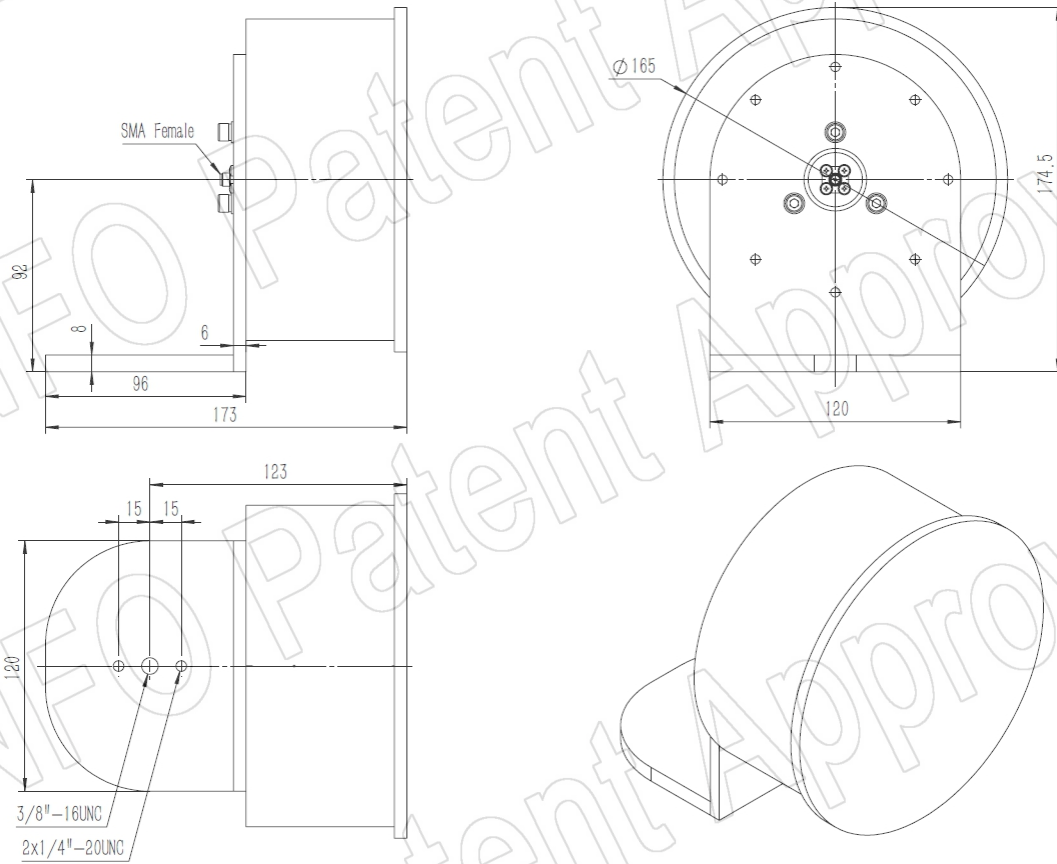
SMA-Female Output with L Type Mounting Bracket (Option, P/N: LX-10180-L)



SMA-Female Output with Radome (Option, P/N: LX-840\_RHCPSP0 or LX-840\_LHCPSP0, Outdoor Application)

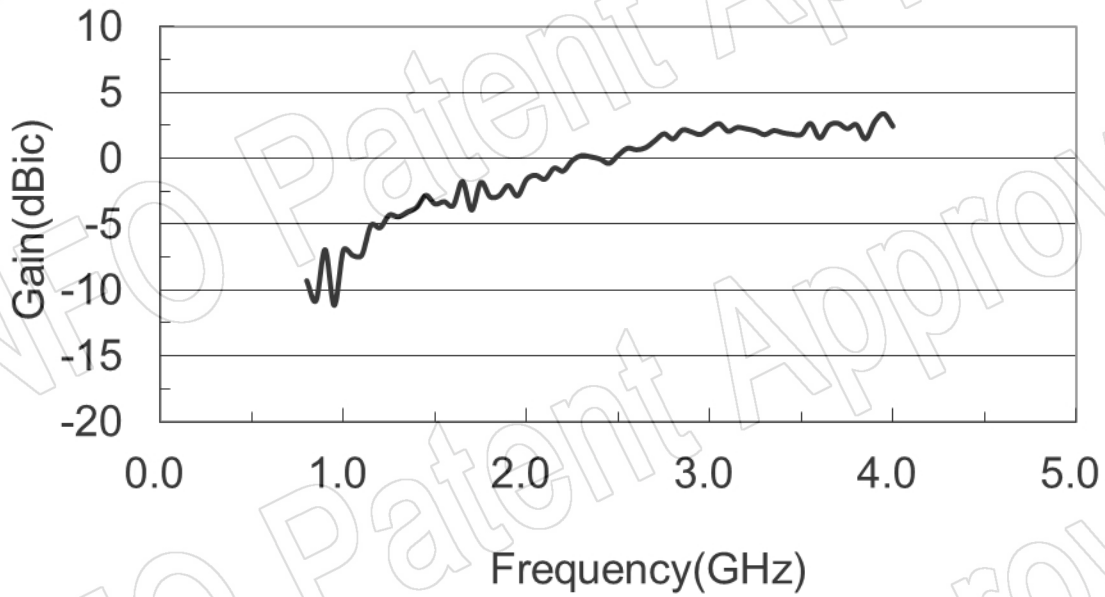


SMA-Female Output with L Type Mounting Bracket & Radome (Option, P/N: LX-10180-L & LX-840\_RHCPSP0 or LX-840\_LHCPSP0, Outdoor Application)

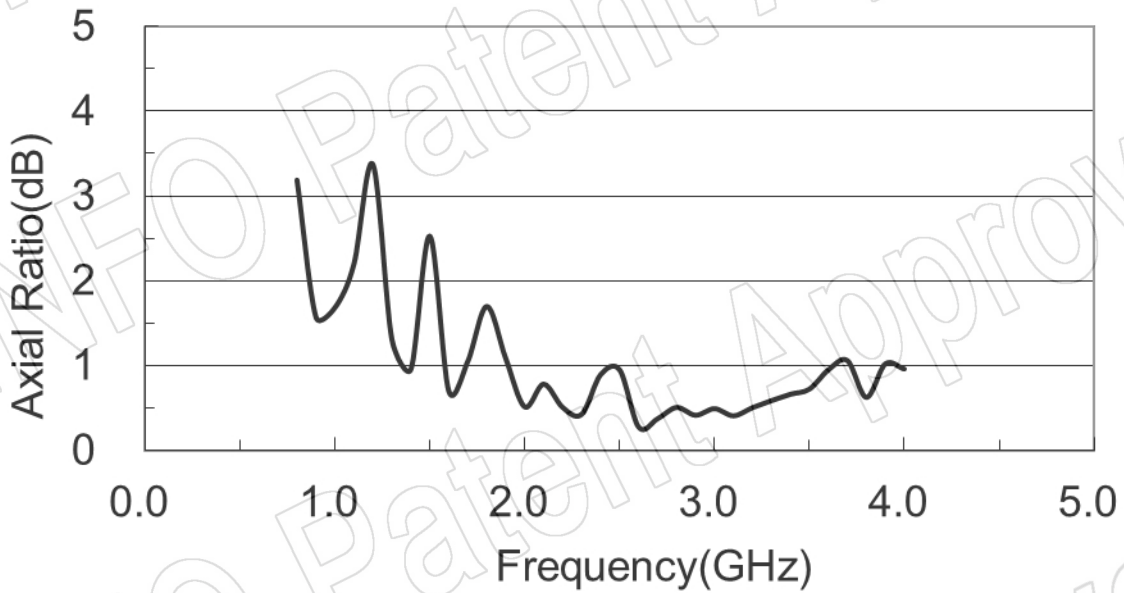


## Test Results

### 1. Gain

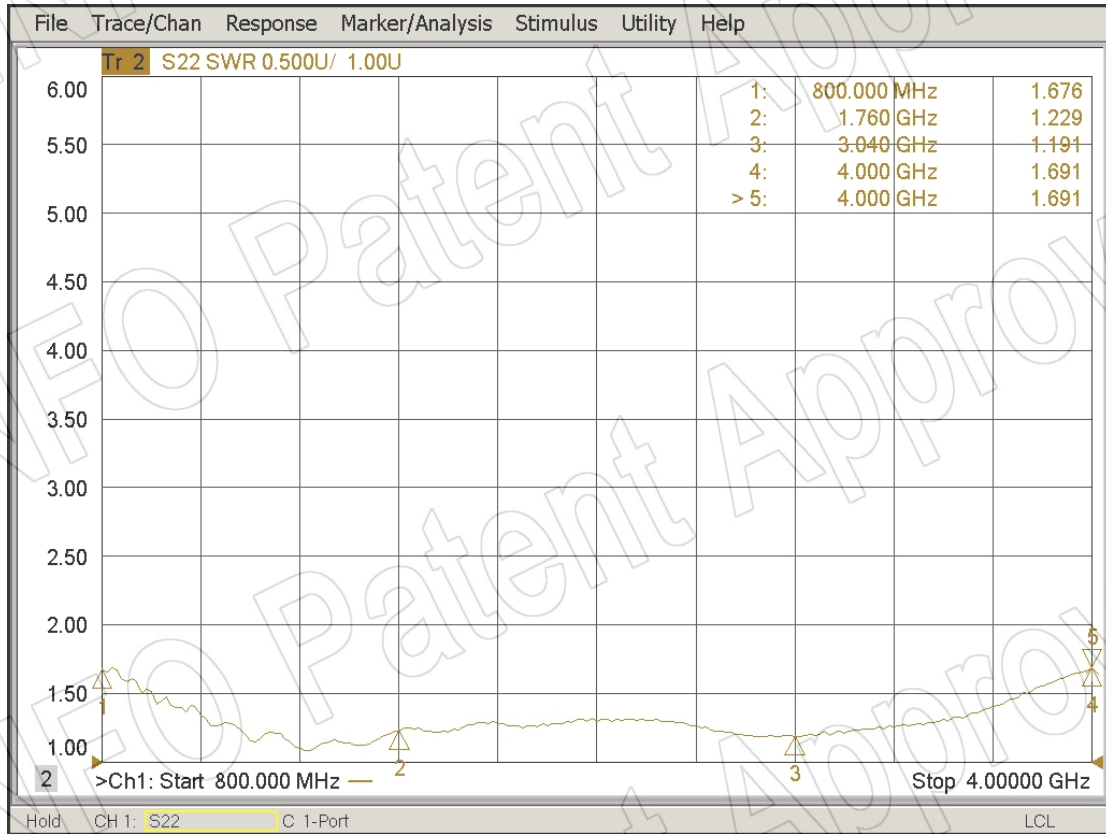


### 2. Axial Ratio





### 3. VSWR



### 4. Pattern

